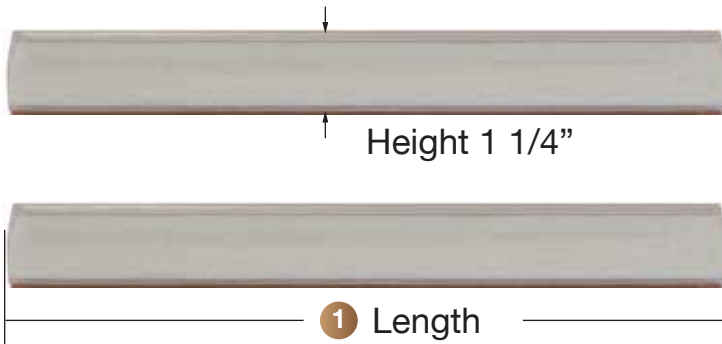


PRICE CHANNEL | UPC PRICE PLATE | ESTIMATE FORM



1 Price Channel Length 1: _____

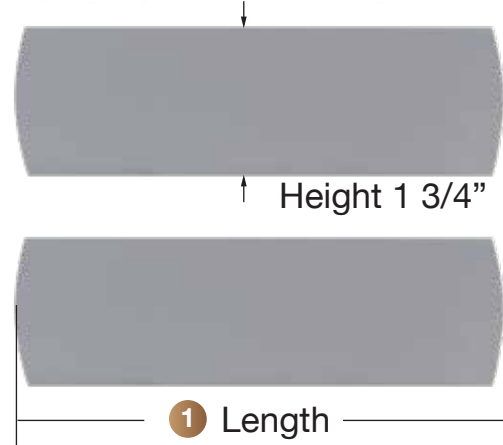
2 Quantities to quote: _____

1 Price Channel Length 2: _____

2 Quantities to quote: _____

1 Price Channel Length 3: _____

2 Quantities to quote: _____



1 UPC PRICE PLATE Length 1: _____

2 Quantities to quote: _____

1 UPC PRICE PLATE Length 2: _____

2 Quantities to quote: _____

Contact Information

Email completed form to: sales@midwaydisplays.com
or fax completed form to 708.563.2331

Request additional information by calling
708.563.2323 9:00am-5pm CST

Company Name: _____

Client Name: _____

Email: _____

Phone: _____ Date: _____

FAST TURN AROUND | QUICK SHIP | METAL FABRICATION