

**INSTRUCTION SHEET**

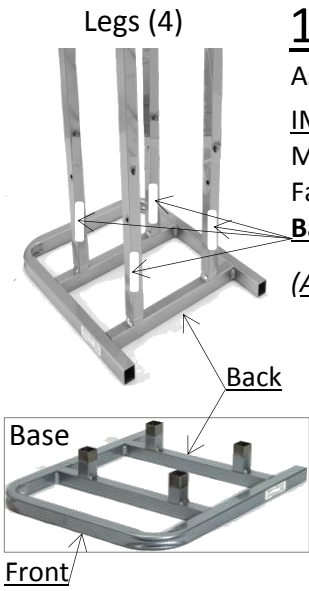
**#DFM4SHELF**

**4-Tier Liter Bottle Rack**

**Beverage Rack | 1-Liter Bottles | 750ML Bottles**

**CONTENTS:**

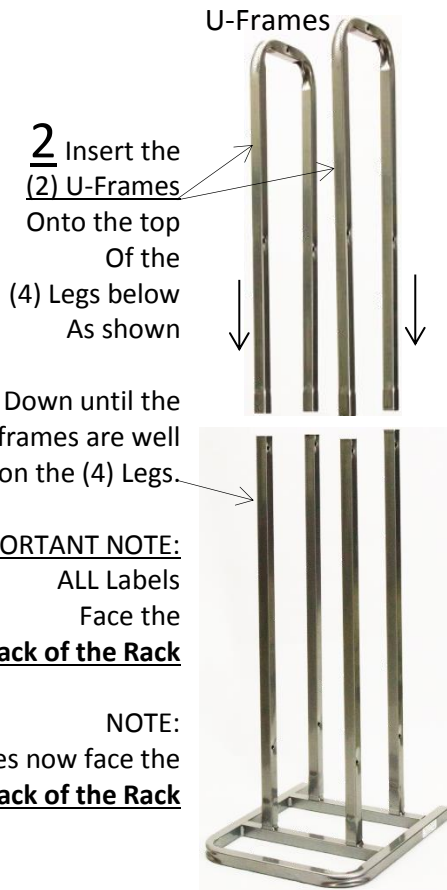
- 2 - U-Frames
- 4 - Legs
- 1 - Crossbar with Header Wire & 2 Mounting Bolts
- 1 - U-Shaped Base
- 4 - Wire Shelves w/ Sign Plate
- 4 - Wire Shelf Brackets
- 1 - Set of 14 Graphic Push Pins.



**1** Place the (4) Legs onto the base  
As shown

**IMPORTANT NOTE:**  
Make sure ALL Labels  
Face to the  
**Back of the Rack.**

(*ALL shelf holes face the Back of the Rack*)



**2** Insert the  
(2) U-Frames  
Onto the top  
Of the  
(4) Legs below  
As shown

Push Down until the  
(2) U-frames are well  
Seated on the (4) Legs.

**IMPORTANT NOTE:**  
ALL Labels  
Face the  
**Back of the Rack**

**NOTE:**  
All shelf holes now face the  
**Back of the Rack**

**4** Repeat the steps from  
#3 finishing with the  
**Top Shelf**



Top Shelf Installed



**5 or 7**

**NOTE:** USE AS #5 IF GRAPHICS ARE NOT BEING INSTALLED OR  
AS #7 IF GRAPHICS ARE BEING INST.

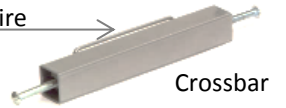


Connect the Crossbar with  
Header Wire, to the Top of the  
(2) U-Frames with the enclosed  
bolts as shown.



Header Wire

**NOTE:** Face the Header Wire  
to the *Back* of the rack,  
(Like the (4) Holes in the uprights).



**3** Attach the (4) Shelves into the Frames as shown below.  
Work from the **Back of the Rack** & Start with the **Bottom Shelf**



**A) Note:** The ends of the  
Wire Support Brackets  
Need to face  
Upward as you insert  
Them into the Holes



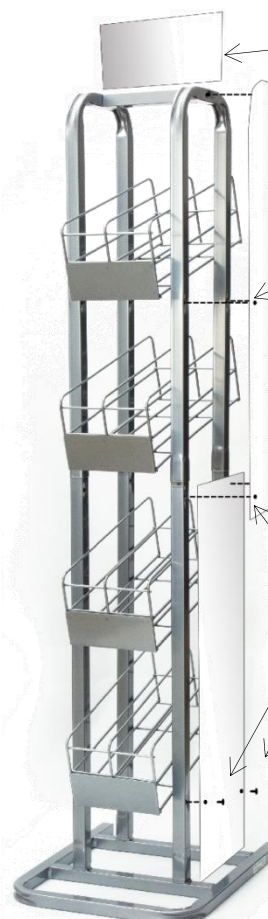
**A)** Insert the  
Wire Shelf Bracket into the  
Bottom (2) Holes on the  
back of the (2) front Legs

**B)** Place the shelf on an  
upward angle, then level &  
insert the Shelf forward into  
the (2) Bottom Holes.

**C)** Drop the front of the  
shelf down until it rests on  
the front Wire Bracket

**6** **OPTIONAL GRAPHIC PACKAGE**

Attach Graphic Package Using the  
Graphic Mounting Push Pins as Shown Below



**Last;** Add the Header Card between  
the Crossbar & Header Wire. *See #7*

**1) First;** Attach the Top  
Graphic Panel with  
*Only* the 2 Graphic  
Push Pins into the Middle  
Holes

**2) Second;** Apply the  
Bottom Graphic Panel  
Under the Top Panel,  
with 2 Graphic push  
pins into the Bottom  
Holes.

**3) Third;** Insert the 2  
Push Pins into the  
2 Center holes, thru  
the Top & Bottom  
Panels.

**NOTE: TOP PANEL  
OVERLAPS  
BOTTOM PANEL.**